

R8001M1050, M1150, M4050, M4150 Actuator Mounting Kit for V51E and V5197A Valves

INSTALLATION INSTRUCTIONS

APPLICATION

This document provides installation instructions for mounting the R8001M1050, R8001M1150, R8001M4050, or R8001M4150 SLATE Low Torque Actuator to the Honeywell V51E series or V5197A series valve.

IMPORTANT

This kit contains all parts necessary to mount the actuator to V5197A series valves. To connect to V51E series valves, a separate mounting bracket is required. See Table 1 to determine the bracket part number to order.

Table 1. Bracket to Connect to V51E Series Valves.

Kit Number	Valve Size	Bracket Part No.
50124386-001	1.5 in.	32003396-001
50124386-001	2 in.	32003396-001
50124386-001	2.5 in.	32003396-002
50124386-001	3 in.	32003396-002
50124386-001	4 in.	32003396-002

50124386-001 KIT CONTENTS

Item Number	Description	Qty
2	1/4-in. SAE Flat Washer	1
3	1/4-in. 20 Flanged Button Head Hex Socket Screw, Zinc Plated	1
4	1/4-in. Split Lock Washers, Zinc Plated	6
5	1/4-in. 20 Hex Nut, Zinc Plated	1
6	.5-.375 in. Valve Coupling Assembly	1
10	Drop Mount Bracket	1
11	M6 Flat Washers, Zinc Plated	4
12	M6x10 Hex Head Cap Screws	4
32-00032—01	Instruction Sheet (V51)	1

INSTALLATION

WARNING

Fire or Explosion Hazard.

Can cause serious injury or death.

Turn off gas supply upstream from the gas valve to prevent fire, explosion or asphyxiation hazard.

Follow these steps to use the mounting kit to directly connect the SLATE Low Torque Actuator to the Honeywell V51E series valve (see Fig. 1) or to the V5197A series valve (see Fig. 2).

1. Turn off the fuel supply upstream from the applicable V51E or V5197A valve.
2. Remove all external hardware from the V51E valve. Remove existing actuator from the V5197A valve.

IMPORTANT

For 3/8-in. valve shafts align the adapter insert so that the insert allows the set screws to contact the shaft.

3. Attach drop mount bracket (Item 10) to SLATE Low Torque Actuator with the four Item 12 screws and four Item 11 flat washers. Do not tighten completely at this time.
4. Attach V51E adapter bracket to V51E valve per the instructions in document 69-1335, included with mounting kits 32003396-001 and 32003396-002. Allow the bracket to slide at this time. (This step is not required for V5197A series valves.)
5. Insert SLATE Low Torque Actuator shaft into coupling.
6. Insert valve shaft into other end of coupling.
7. Tighten coupling set screws onto both shafts. All set screws should contact a shaft.
8. If mounting to a V51E series valve, insert Item 3 screw into drop mount bracket and thread into V51E valve adapter bracket. If replacing an actuator on a V5197A series valve, Item 3 screw is inserted instead of threaded.
9. If mounting to a V51E series valve, thread Item 5 hex nut on Item 3 screw and tighten against V51E valve adapter bracket. If replacing an actuator on a V5197A series valve, place Item 2 flat washer, Item 4 lock washer, and Item 5 hex nut on Item 3 screw and tighten.
10. Tighten screws on V51E adapter bracket. (This step not required for V5197A series valves.)
11. Tighten Item 12 screws on drop mount bracket.
12. Follow instruction in form 32M-06009—01 to wire the SLATE Low Torque Actuator.



13. Restore fuel and power to system.

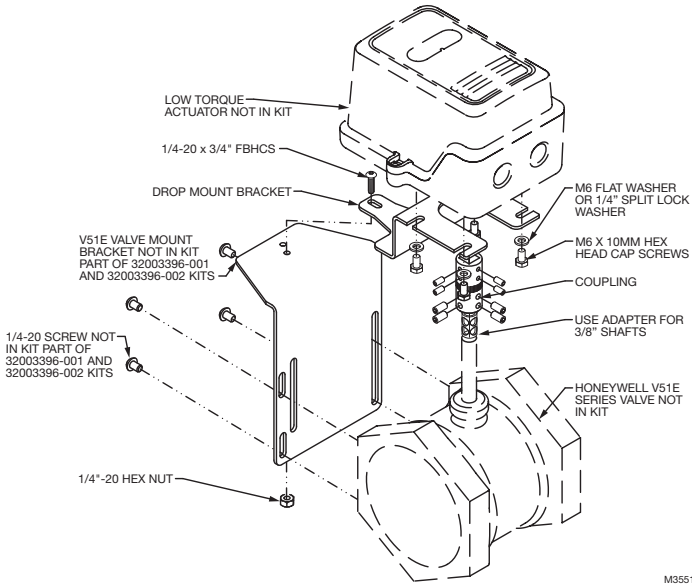


Fig. 1. Connecting the SLATE Low Torque Actuator to the V51E series valve.

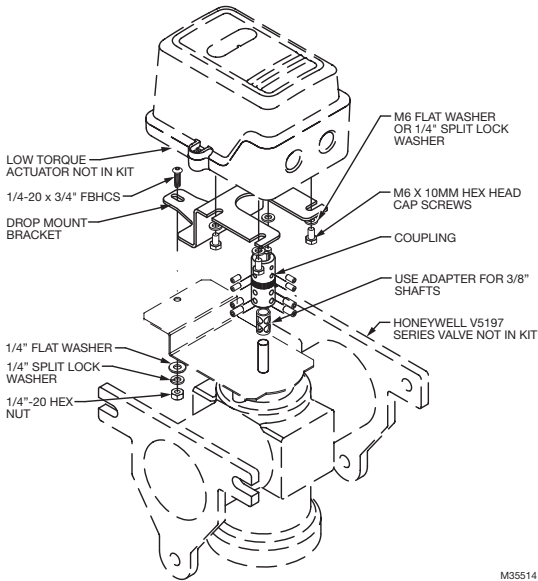


Fig. 2. Connecting the SLATE Low Torque Actuator to the V5197A series valve.

Automation and Control Solutions

Honeywell International Inc.
 1985 Douglas Drive North
 Golden Valley, MN 55422
 customer.honeywell.com

